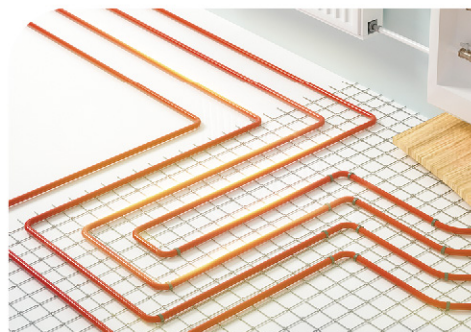


Haier

Haier



Haier Commercial Air Conditioning

ADDRESS

No.1 Haier Road, Hi-tech Zone, Qingdao 266101 P.R.China

CONTACTS

Tel: +86-532-8893-6938 B2B Website: www.haierac.com B2C Website: www.haier.com

! The specifications, designs and information in this brochure are subject to the actual products.
Haier reserves the right to make change without any notice.

Nov.2020

Version 1.0

SUPER AQUA^{Monobloc}

Haier Air to Water Heat Pump

What is Haier Super Aqua?

Haier Super Aqua air to water heat pump uses free renewable energy from the outside air as heat source for space cooling, heating and providing of domestic hot water. This energy efficient and environmentally-friendly solution substantially reduces energy consumption, running cost and CO₂ emissions in heating compared to conventional oil and gas boiler.



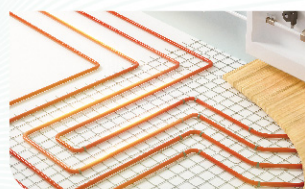
Radiator 1



Fan Coil 2



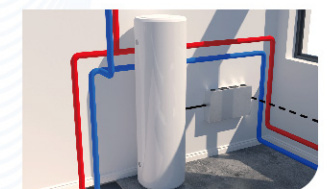
Underfloor Heating 3



4 Wired Controller



5 DHW tank



6 DHW PCB



7 Haier Super Aqua



SUPER

AQUA



MONOBLOC

Why Choose Haier Super Aqua?

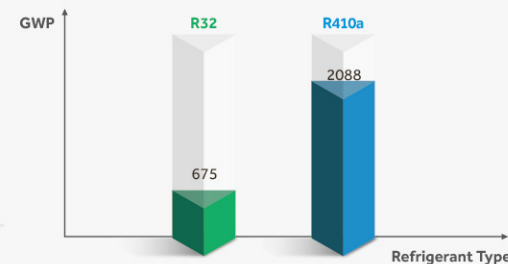


Environmentally-friendly

Haier Super Aqua air to water heat pump uses free renewable energy from the outside air as heat source for space cooling, heating and hot water. This energy efficient and environmentally-friendly solution substantially reduces energy consumption, running cost and CO₂ emissions in heating compared to conventional oil and gas boiler.



All Super Aqua products use the future refrigerant: R32, which has been shown to have a remarkably reduced environmental impact compared to other refrigerants such as R410A.

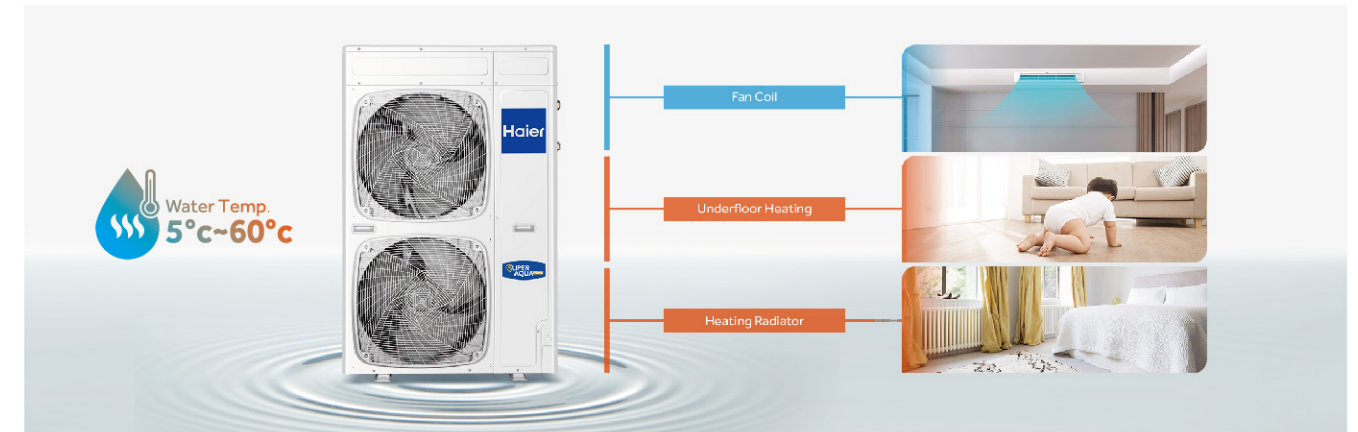


Comfort

Total comfort

Haier Super Aqua Monobloc offers an integrated solution to guarantee the total comfort in your home. Leaving water temperature ranges from 5°C to 60°C, which provides comfortable cooling and heating for users. In addition, production of domestic hot water is guaranteed all year. Through the terminal box ATW-A01 is possible to manage the production of domestic hot water with the 3-way valve to be installed externally to the unit.

It's possible to choose the most suitable type of application for each environment and satisfy every need through the combination of the applications in a system.



Low sound level

Multiple noise reduction measures ensure a low sound level.

Compressor

Covered by the soundproof material, blocking noise reduction from the compressor; Mounted on the rubber anti-vibration mounts for quite operation and low vibration.

Axial fan

Brushless DC fan motor and aerodynamically optimized impeller for noise and vibration reduction.

Pipeline design

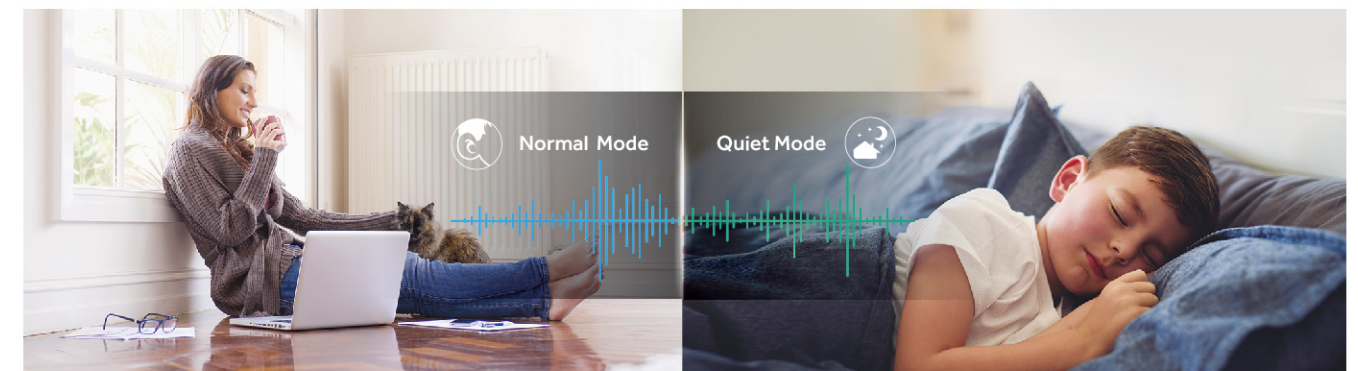
New structure and optimized design of pipeline effectively avoid pipeline noise and vibration.

*Sound power level of the 5kW unit is only 59dB(A).

59dB(A)
Noise test within 1m



In addition, quiet mode is available for quiet operation at night.



Environmentally friendly



Comfort



Energy saving



High reliability



Convenience

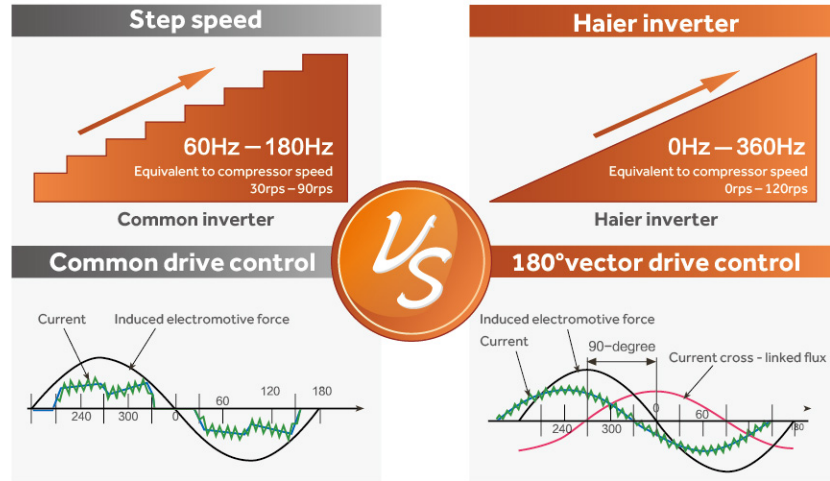


Wide application

Energy Saving

Full DC inverter technology

Full DC inverter twin rotary compressor has smaller size and higher efficiency. Variable frequency stepless speed control motor is more energy saving. Introduction of water-cooled canned rotor pump realizes lower sound level and higher efficiency.



High Reliability

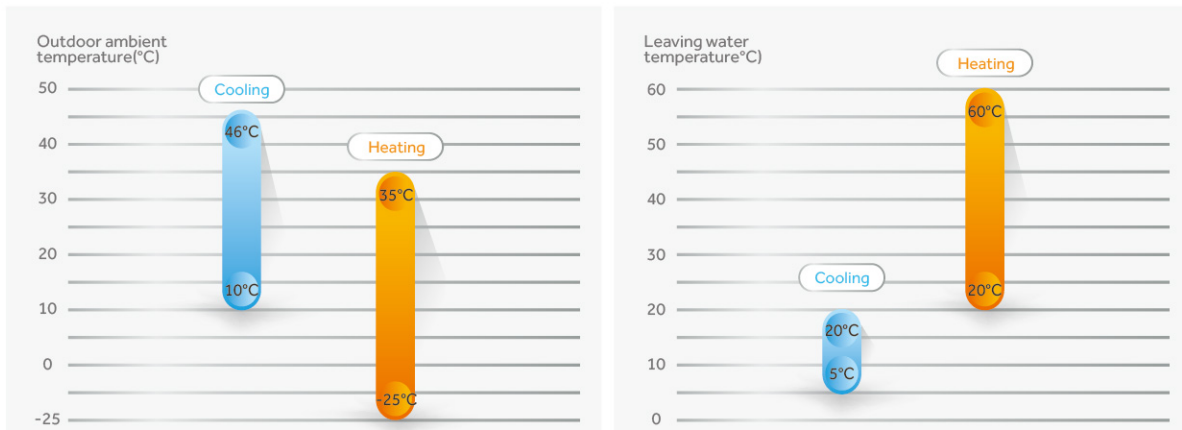
Intelligent anti-freezing technology

- Multi-sensor protection is designed to avoid the freezing of the water system. In winter, when the sensor detects that the water temperature is below 3°C, the pump will turn on to prevent the water system from freezing.
- The flow switch monitors the water flow and gives an alarm when it is below the minimum flow value to avoid the freezing of the water system due to the low flow in the cooling mode.



Wide operation range

Leaving water temperature ranging from 5°C to 60°C provides comfortable cooling and heating for users. Maximum 60°C leaving water temperature can be realized even when outdoor ambient temperature is down to -25°C (5kW unit).



Convenience

Easy installation

Compact design allows the unit to be installed even when the space is limited.



Easy control

A modern white finish and touch screen design makes the controller clean, clear and fashionable. And the backlight and intuitive icon ensures it is simple and easy to use. The built-in weekly timer allows pre-set automatic control and any error codes are displayed, as well as a historic log being kept, to make maintenance work easier.



Wide Application

Capacity range from 5kW to 16kW, Haier Super Aqua is suitable for both residences and small-sized commercial application scenarios. Small-capacity units are applied mainly in newly built residential buildings with their improved insulation materials whilst. Medium-capacity products are mainly used for refurbishments. Big-capacity products can be installed in small-sized commercial applications, such as Café, restaurant, hair salons and the like.



Environmentally friendly



Comfort



Energy saving



High reliability



Convenience



Wide application

Specification & Dimensions



AU052FYCRA(HW)



AU082FYCRA(HW)



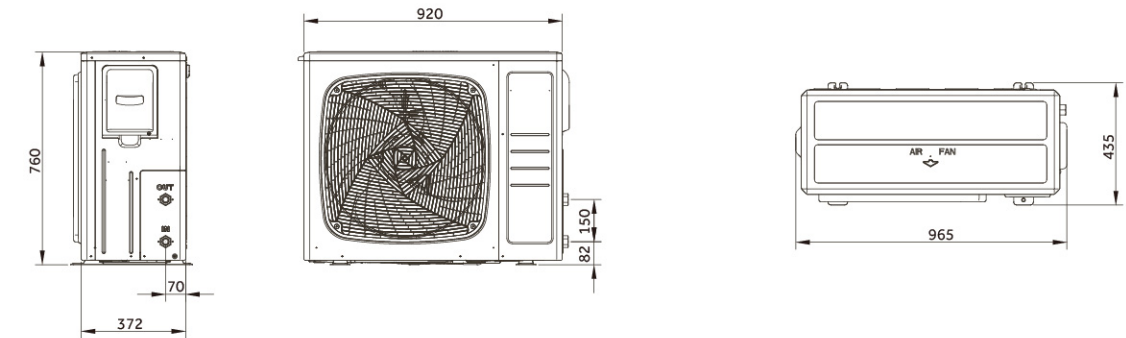
AU112FYCRA(HW)
AU162FYCRA(HW)

Model			AU052FYCRA(HW)	AU082FYCRA(HW)	AU112FYCRA(HW)	AU162FYCRA(HW)
Heating (LWT 35°C / OAT 7°C)	Capacity	kW	5.00	7.80	11.00	16.00
	Power input	kW	0.99	1.77	2.61	3.86
	COP	-	5.05	4.40	4.22	4.15
Heating (LWT 55°C / OAT 7°C)	Capacity	kW	5.00	7.01	9.99	14.01
	Power input	kW	1.64	2.76	4.40	5.63
	COP	-	3.05	2.54	2.27	2.49
Space heating Average climate water outlet 35°C	SCOP	-	4.59	3.87	4.35	4.00
	ηs	%	180	152	171	157
	Energy class	-	A+++	A++	A++	A++
Space heating Average climate water outlet 55°C	SCOP	-	3.32	2.90	3.20	3.09
	ηs	%	130	113	125	121
	Energy class	-	A++	A+	A++	A+
Cooling (LWT 18°C / OAT 35°C)	Capacity	kW	5.00	7.00	13.50	16.00
	Power input	kW	1.00	2.06	2.94	3.64
	EER	-	5.00	3.40	4.60	4.40
Cooling (LWT 7°C / OAT 35°C)	Capacity	kW	5.00	5.50	11.50	14.50
	Power input	kW	1.56	2.34	3.83	4.92
	EER	-	3.20	2.35	3.00	2.95
Outdoor operating temperature range	Heating	°C	-25-35	-20-35	-20-35	-20-35
	Cooling	°C	10-46	10-46	10-46	10-46
Leaving water temperature range	Heating	°C	25-60	20-55	20-55	20-55
	Cooling	°C	5-20	5-20	5-20	5-20
Water flow rate		L/min	14.3	23.0	31.5	45.8
Water piping connection	Inlet/Outlet	inch	RC 3/4	RC 1	RC 1	RC 1
Compressor	Quantity	-	1			
	Type	-	DC inverter twin rotary			
Refrigerant	Type	-	R32			
	Charge/CO ₂ Eq.	kg/T	1.05 / 0.709	1.15 / 0.777	2.40 / 1.620	2.60 / 1.755
Net dimension	(H×W×D)	mm	760×920×372	965×950×370	1490×950×370	1490×950×370
Packing dimension	(H×W×D)	mm	890×1045×488	1123×1023×480	1653×1023×480	1653×1023×480
Net/Gross weight		kg	69/80	87/97	145/157	145/157
Sound power level		dB(A)	61	64	67	68
Power supply		~V/Hz	1, 220-240, 50/60	1, 220-240, 50/60	1, 220-240, 50/60	1, 220-240, 50/60
Max. running current		A	13.5	21.3	24.3	31.7
Recommended circuit breaker		A	30	32	32	40
Accessory	Wired controller	/	YR-E27A (Standard)	YR-E27 (Standard)		
	DHW PCB	/	ATW-A01(Optional)			
	Filter	/	Standard			

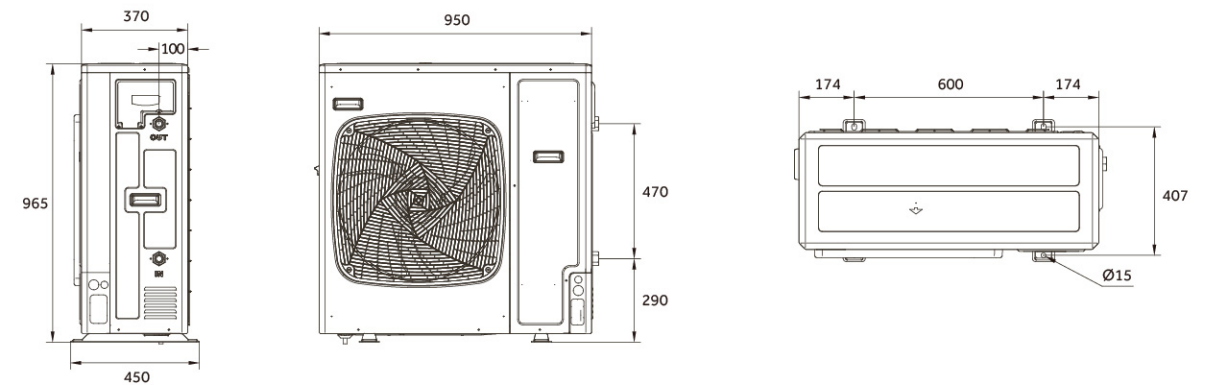
Note:
 1. Efficiency data is based on EN14511.
 2. LWT: Leaving water temperature; OAT: Outdoor air temperature.
 3. Sound level values are measured at a semi-anechoic room. And the sound power level values are based on measurement of EN2012 under conditions of EN14825.
 4. The above data may be changed without notice for future improvement on quality and performance.

Outline dimension

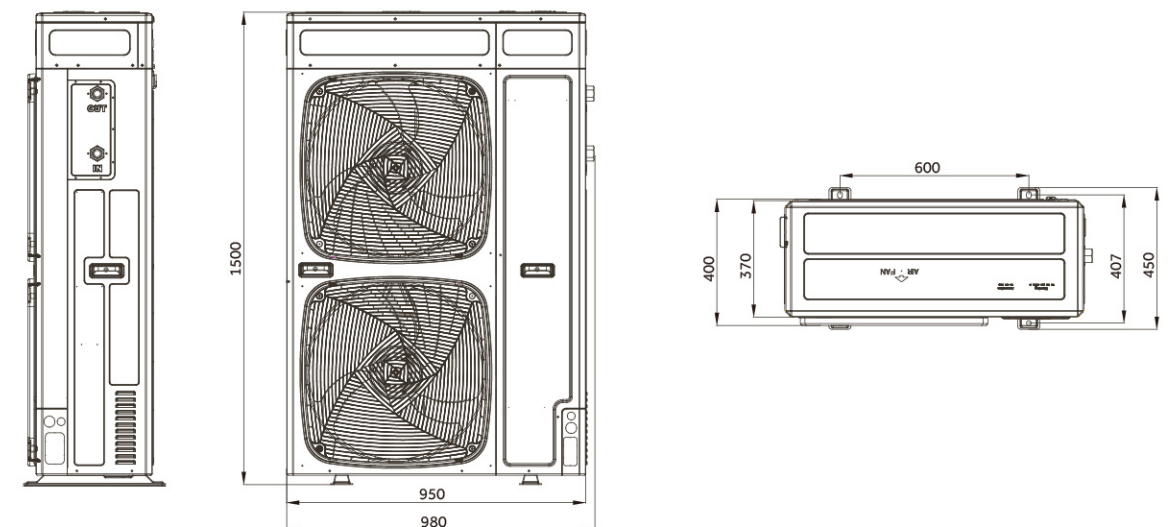
AU052FYCRA(HW)



AU082FYCRA(HW)



AU112FYCRA(HW)/AU162FYCRA(HW)



Date / /

